

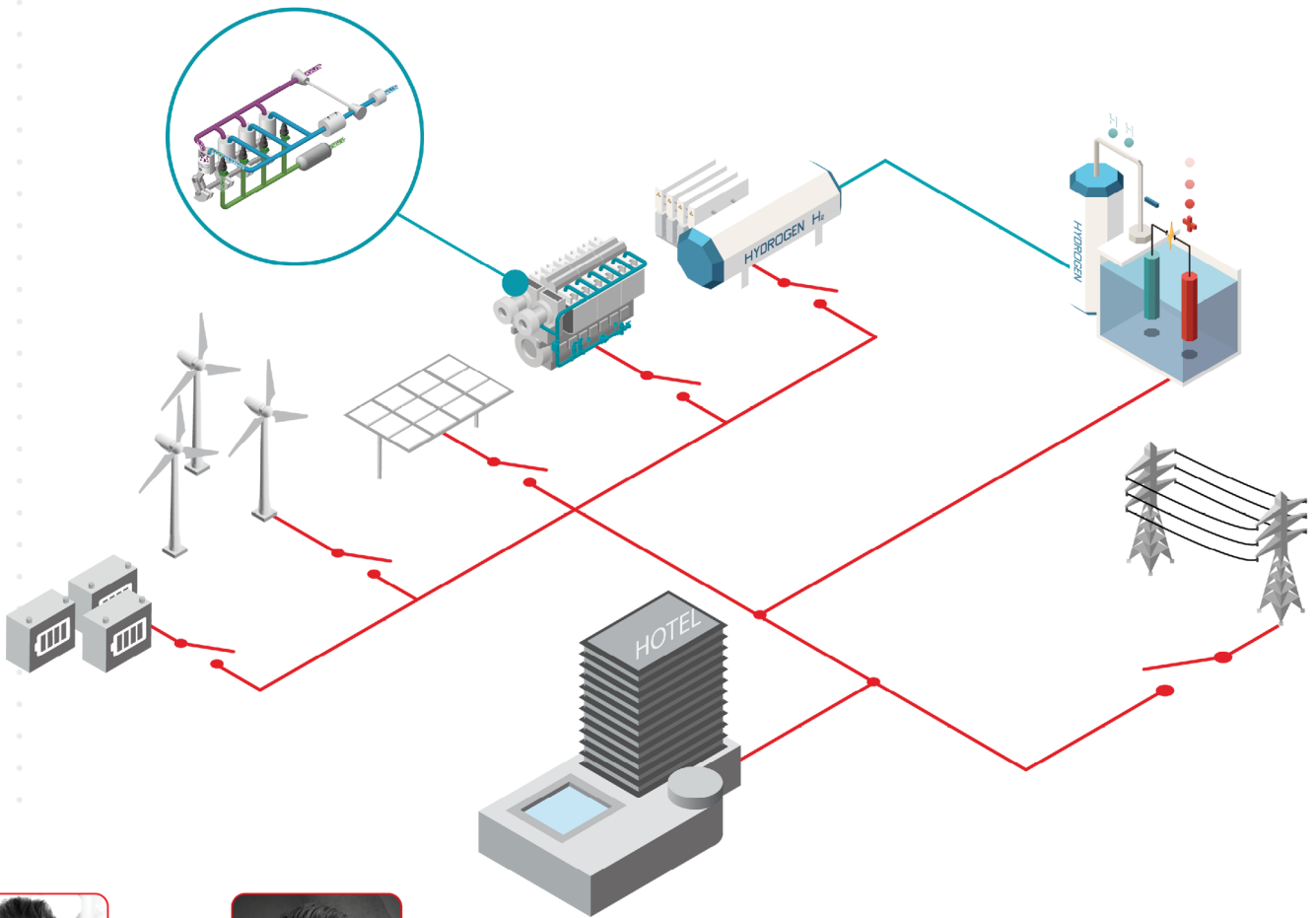
Smart  
control and  
automation  
for hydrogen  
systems

| **Hydrogen** Solutions





**Add hydrogen** to your engine to lower your environmental impact, diesel consumption, and improve the performance of your engine.



**Lukas Novak**

Hydrogen Solutions  
Segment Manager

+420 724 828 661  
[lukas.novak@comap-control.com](mailto:lukas.novak@comap-control.com)



**Francois Ruchon**

Hydrogen Solutions  
Segment Manager

+33 688 049 613  
[francois.ruchon@comap-control.com](mailto:francois.ruchon@comap-control.com)

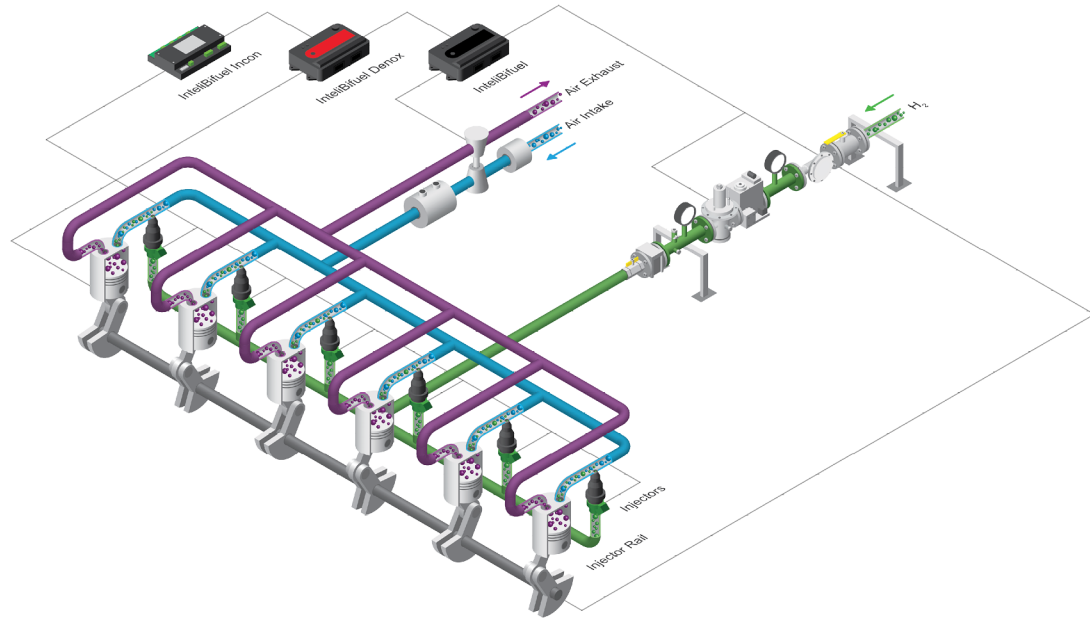


Complex or simple installations, our controllers can help you manage your energy installations simply and effectively anytime, anywhere.

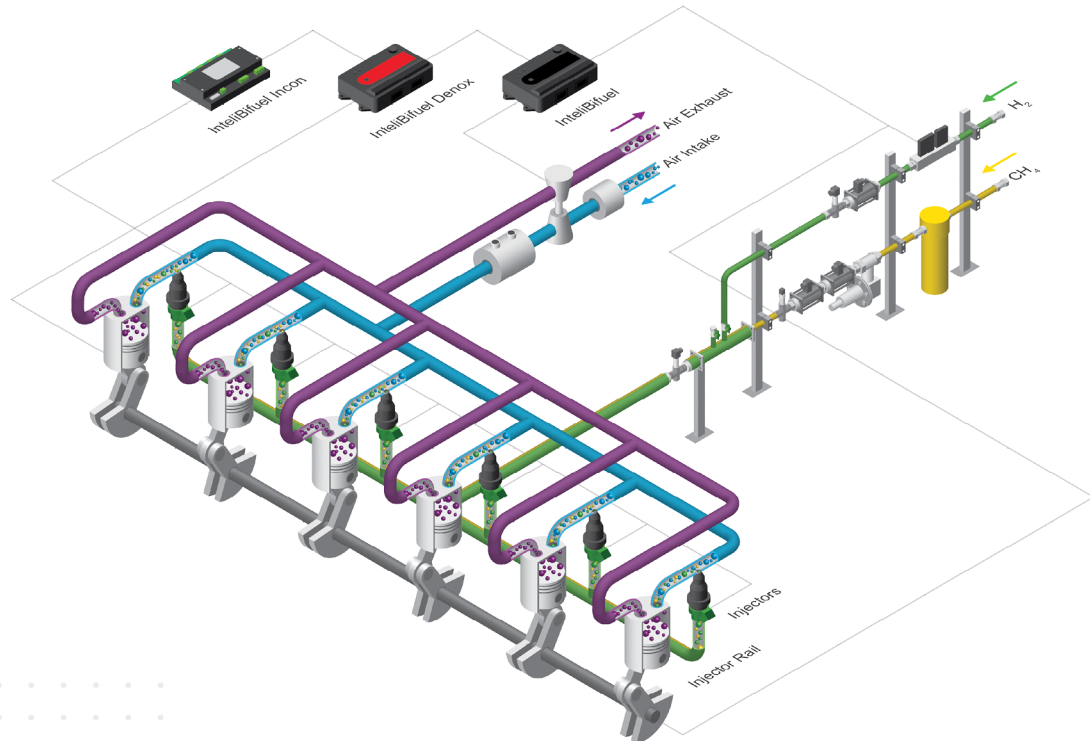


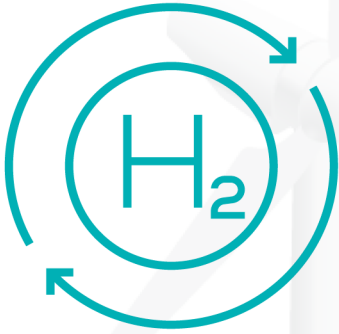
Our **bi-fuel systems** modify your original diesel engine so that it uses hydrogen, which helps to substantially reduce diesel consumption and decrease your reliance on carbon fuels.

The result: **reduced carbon emissions and greater energy stability.**



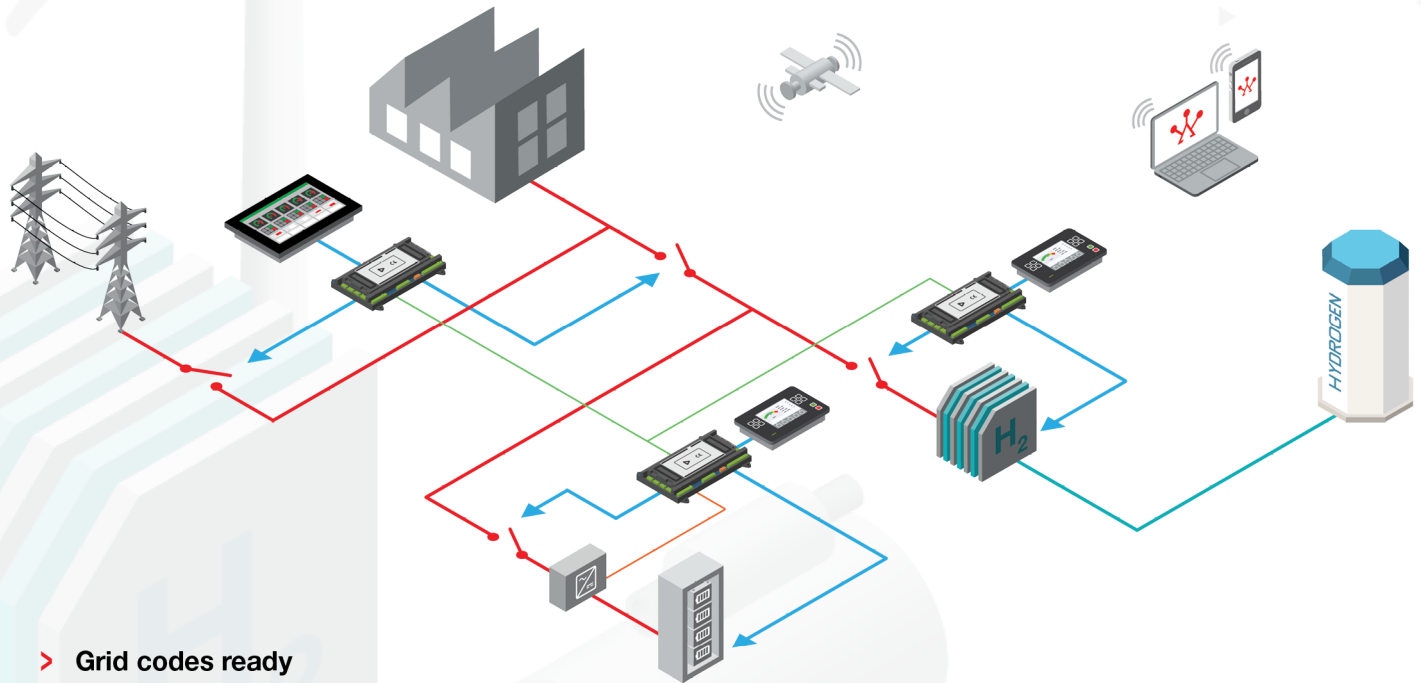
The **tri-fuel solution** combines the benefits of natural gas and hydrogen together in a tri-fuel mode. Replacing diesel with this combination can help to reduce the emission of pollutant gases, particulate matter (PM), methane-based emissions and optimise your fuel expenses.





## Enable multiple unit paralleling & grid synchronisation for hydrogen fuel cell gen-sets

Synchronise your fuel cells gen-sets, share the load between modules, connect your system to the grid and offer peak shaving and electricity import/export. Our solutions come with built-in grid code certifications for most European and global grids, which saves you time and eliminates the long and costly certification processes.



- > Grid codes ready
- > Uninterrupted power supply
- > Load sharing between several units
- > Force island operations
- > Remote monitoring and control
- > Fleet management





## Manage your fleet securely from anywhere in the world

Get a comprehensive overview of the status of your devices, their exact location and all important data with ComAp's WebSupervisor via your PC or mobile device.



## Easy SCADA monitoring and management of your smart controllers

Simplify the monitoring and management of energy controllers and accessories for both simple and complex projects with ComAp's IntelliScada PC monitoring tool.

Our modern and user-friendly SCADA system is secure, reliable, easy to program and ready to start monitoring your hybrid site with just one-click

  
WebSupervisor

  
IntelliSCADA

# comap-control.com

We design and deliver innovative control solutions and services for smart and sustainable energy generation and management for any application and industry.

- > Consulting
- > Design
- > Commissioning
- > Training and technical support
- > Full panel solution



## ComAp in Numbers

- 500+** employees worldwide
- 200+** R&D employees
- 23** offices globally
- 70+** distributors